

Photo Book

8" Portable Digital Photo Album

Quick Start Guide



DIGITAL
FOCI

Thank you for choosing Digital Foci.

Please use this Quick Start Guide to get started with your Photo Book. For more detailed explanations on how to use Photo Book, refer to the User's Guide available online at www.digitalfoci.com/support.

At Digital Foci, our mission is to *enhance your life by smart usage of digital technology.*

We promise to provide you:

- ◆ Easy-to-use products to help you manage and enjoy your digital content
- ◆ Attractive products to accentuate your unique style
- ◆ Education and support to help you understand the quickly changing digital technology

We aim to provide you a level of customer satisfaction that exceeds your expectations.

Let Digital Foci help *Optimize your Digital Living.*

For more information about Photo Book and other products from Digital Foci, please visit our website at:

www.digitalfoci.com

Congratulations on purchasing your Photo Book - 8" Portable Digital Photo Album, featuring 8" (800x600) digital LCD and 4GB internal flash memory.

With Photo Book you can:

- ◆ Carry your collection of photos and videos with you and enjoy them anytime, anywhere
- ◆ View photos directly from a memory card or USB flash drive, or copy the photos directly to the Photo Book Internal Memory without needing a computer
- ◆ View photo details with zoom, pan, and rotate functions
- ◆ Run automatic Full-Screen slideshow or Flip-Page slideshow, featuring an elegant page-turning effect, with adjustable time intervals
- ◆ View RAW images from a wide selection of DSLRs
- ◆ Play music in the background along with the slideshows

Supported Memory Card Formats:

CF, SD, SDHC, MMC, Memory Stick, MS PRO, xD
(MS Duo, miniSD, RS-MMC with adapter)

Supported File Formats:

- ◆ Image format: JPEG (Baseline, up to 35MP), BMP, TIFF, GIF, RAW (from select DSLR cameras)
- ◆ Video formats: MJPEG, MPEG-1, MPEG-4 SP
- ◆ Audio format: MP3, AAC, WMA
- ◆ Text format: TXT

Getting Started with Photo Book

Package Contents:

- ◆ Photo Book with soft leather-like case
- ◆ Standard USB cable (to computer)
- ◆ USB OTG cable (to USB flash drive)
- ◆ AC power adapter
- ◆ Quick Start Guide

Powering Photo Book

Charging Photo Book Battery

Photo Book has a battery life of approximately 2.5 hours on a full charge. For best battery performance, please charge the battery for **8 hours** before using it for the first time.

Connect Photo Book to the included AC power adapter to charge the battery. The Power Adapter Jack is located on the bottom left of Photo Book.

The battery LED will turn red to indicate that the battery is charging. With the device turned off, it takes under 3 hours to fully recharge an empty battery. The Red LED will turn off when the battery is fully recharged.

You may also charge the Photo Book battery through USB power by connecting Photo Book to your computer.

When Photo Book has about 10% battery life remaining, it will start displaying a *Battery Low* icon on its screen. You should charge the device when the low battery warning appears.

Power On/Off

To turn on Photo Book, press the Power Button. The power LED will turn green and the Digital Foci screen will appear while Photo Book initializes and powers on.

To turn off Photo Book, press the Power Button. Photo Book will shut down in about 2 seconds and the LED will turn off.

Setting Up Photo Book

From the Home Screen, press **MENU** to display Menu options. Next, select *Setup Icon* to access the Setup screen.

1. Press **LEFT / RIGHT / UP / DOWN** to move the cursor to browse the Setup options.
2. Press **OK** to access the selected Setup option.
3. Press **LEFT / RIGHT / UP / DOWN** to change the value. After you set the desired value, press **OK** to confirm.
4. To exit Setup menu, press the **ESC** button.

These are the 6 Setup options:

Theme Style:



Change background theme

Brightness:



Adjust screen brightness between 0 and 10

Language:



Select display language

Date Time:



Set date and time

Auto Shutdown Timer:



Turn on and adjust auto shutdown timer

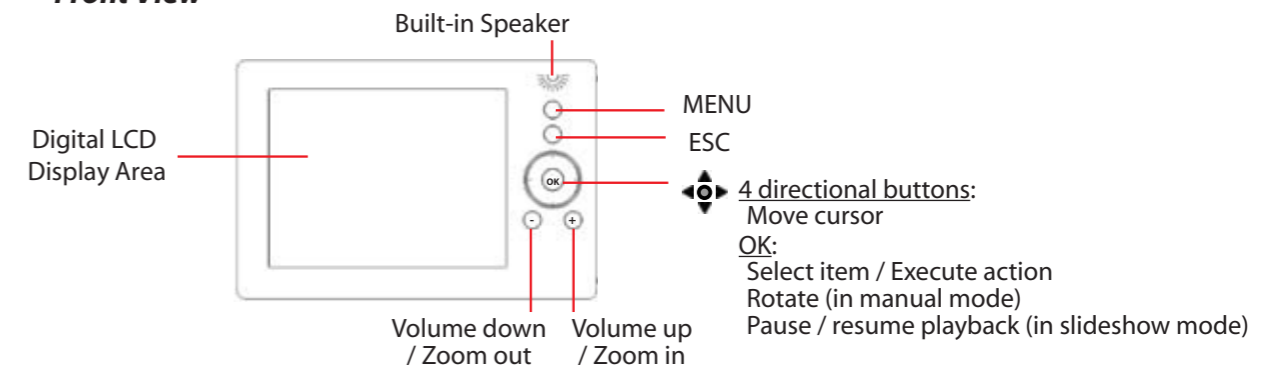
Status:



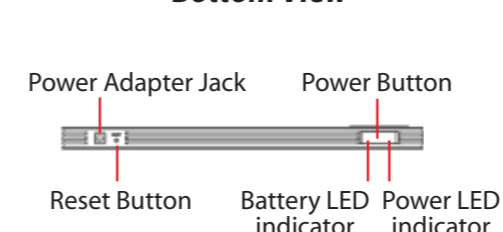
View device technical information

Device Layout

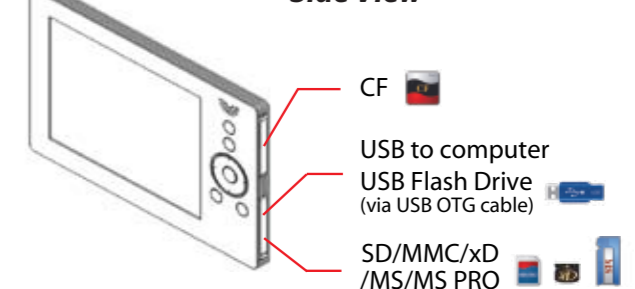
Front View



Bottom View



Side View



Different Ways to View Photos and Videos on Your Photo Book



Copying Photos, Videos, and Music Files from Your Computer to the Photo Book Internal Memory

Connecting Photo Book to Your Computer

1. Open the bottom door on the right side of Photo Book to access the USB port of Photo Book.
2. Connect Photo Book to your computer using the included Standard USB cable.
3. Photo Book will display a "Computer Connect" image on the screen to indicate that it is connected to your computer.
4. Once connected, your computer will automatically recognize Photo Book. Photo Book will show up as a removable drive with the default label "PhotoBook".
5. If a memory card is inserted in Photo Book, it will also show up on your computer as a 'Removable Drive'. You can transfer files among an inserted memory card, your computer, and the Photo Book Internal Memory.

Copying Files From Your Computer to Photo Book

Photo, videos and music files copied to the Photo Book Internal Memory will be played on the Photo Book. The photos and videos in each individual folder will appear on the Photo Book as an individual album in Album View. If there are folders within a folder, they will each appear as a separate album.

Customized music slideshow:

- ♦ Associate theme music with specific albums by copying music files into the respective folders. Music files located in a specific album will play with that album when selected for viewing – in Thumbnail View and Slideshow Show Mode.
- ♦ Music files in the root location of the memory source will play in the background when you are in Album View and when there is no music file in the selected album.

Browsing Albums in Album View

The main Album View displays all your photo albums on the Photo Book Internal Memory. The contents of each folder and sub-folder will be displayed as a separate album. Each album is displayed with its folder name and created date (at the bottom of the screen) and thumbnail of the first photo.

- ♦ Press **LEFT / RIGHT / UP / DOWN** to move the cursor and browse through the photo albums.
- ♦ Press **OK** to view the Thumbnail View of the selected album.
- ♦ Press **+ / -** to adjust volume up / down (if music is playing).
- ♦ Press **MENU** to access the Menu options.

Viewing Photos in Thumbnail View

In Thumbnail View, all supported photos and videos will be shown in a 4 by 3 matrix of photo thumbnails. Photos are listed in alphabetical order. From this view, you can enter Manual Slideshow Mode by pressing **OK** or start an automatic photo slideshow by accessing the Menu options.

- ♦ Press **LEFT / RIGHT / UP / DOWN** to move the cursor.
- ♦ Press **OK** to display the selected photo full screen.
- ♦ Press **+ / -** to adjust volume up / down (if music is playing).
- ♦ Press **ESC** to return to main Album View.
- ♦ Press **MENU** to access the Menu options.

Viewing Photos in Manual Slideshow Mode

From Thumbnail View, move the cursor to the photo you want to view and press **OK** to enter Manual Slideshow Mode.

- ♦ Press **RIGHT** or **DOWN / LEFT** or **UP** to manually skip to the next / previous photo.
- ♦ Press **MENU** to show / hide file name and counter display.
- ♦ Press **OK** to rotate the photo 90 degrees counter-clockwise.
- ♦ Press **+ / -** to zoom in and out the photo. A 'zoom window' will appear that indicates the zoomed display relative to the entire photo. While zooming, use the directional buttons to pan to a specific part of the photo. The 'zoom window' will disappear after 5 seconds when no buttons are pressed. Press **ESC** to cancel the zoom and return to normal view.

NOTE: You cannot adjust music volume in Manual Slideshow Mode.

Playing Automatic Photo Slideshow

You can play an automatic Flip-Page slideshow or Full-Screen slideshow with adjustable time intervals.

1. From Thumbnail View, press **MENU** to access the Menu options.
 - ♦ Select **Flip-Page Slideshow Icon** to start a Flip-Page slideshow. In this mode, photos will advance automatically with an elegant page-turning effect.
 - ♦ Select **Full-Screen Slideshow Icon** to start a Full-Screen slideshow. In this mode, photos will advance automatically full-screen with random transition effects.
2. As the slideshow is playing, you can do the following:
 - ♦ Press **UP / DOWN** to increase / decrease the time interval between photo transitions from 1 to 60 seconds.
 - ♦ Press **OK** to pause and resume the slideshow.
 - ♦ Press **RIGHT / LEFT** to skip to the next / previous photo.
 - ♦ Press **+ / -** to adjust volume up / down. To turn off music, press the **-** button until the volume is turned to Mute.
 - ♦ Press **ESC** to return to Thumbnail View.

Viewing Videos on Photo Book

Each video file will be shown with a video icon in Thumbnail View. To view a video, browse to the video and press **OK**. As the video is playing, you can do the following:

- ♦ Press **RIGHT / LEFT** to scan forward / backward.
- ♦ Press **UP / DOWN** to fast forward / rewind the video.
- ♦ Press **OK** to pause and resume the video.
- ♦ Press **+ / -** to adjust volume up / down.
- ♦ Press **MENU** to show or hide file name and time elapsed.
- ♦ Press **ESC** to return to Thumbnail View.

NOTE: Video files will be skipped in a photo slideshow.

Using Multi-Select Function (for Copy or Delete)

1. Navigate to the Album View or Thumbnail View screen of the memory device from which you would like to select the albums or files.
2. Press **MENU** to access the Menu options and select **Multi-Select Icon**.
3. The device will enter the Multi-Select Mode. A Multi-Select icon will be shown at the lower-right corner of the screen.
4. Press **OK** on each item to make your selection. Selected albums will change to a different color. Selected photos will display a marker on top of each photo thumbnail.
5. After completing your selection, press **MENU** to access the **Copy** or **Delete** function for the selected items.

Making Copies of File(s) and Album(s)

1. Navigate to the file or album you want to copy. To select multiple files or albums, press **MENU** and select **Multi-Select Icon** to enter Multi-Select Mode and make your selection.
2. Press **MENU** and select **Copy Icon**.
3. A confirmation message, 'Copied to clipboard' will pop up. Press **OK** to acknowledge.
4. Next, navigate to the desired target location to copy the selected item(s).
5. Press **MENU** and select **Paste Icon**.
6. When you see the confirmation message, 'Paste from clipboard?' press **OK** to confirm.
7. The copied item(s) now exist in both the original location and the target location.

Deleting Photo(s) or Video(s)

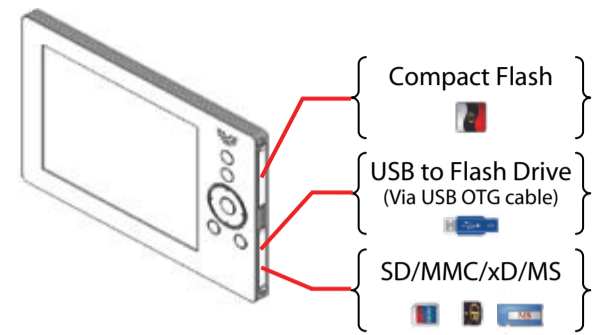
1. From Thumbnail View, navigate to the photo or video you want to delete. To select multiple files, press **MENU** and select **Multi-Select Icon** to enter Multi-Select Mode and make your selection.
2. Press **MENU** and select **Delete Icon**.
3. At the confirmation message, 'Delete?' select **Yes** and press **OK** to confirm the deletion.

Deleting Album(s) on Photo Book

1. From the main Album View, navigate to the album you want to delete. To select multiple albums, press **MENU** and select **Multi-Select Icon** to enter Multi-Select Mode and make your selection.
2. Press **MENU** and select **Delete Icon**.
3. At the confirmation message, 'Delete?' select **Yes** and press **OK** to confirm the deletion.

Viewing Photos and Videos from Memory Cards or USB Flash Drive on Photo Book

1. To access the memory card slots and USB port, open the desired card slot door on the right side of Photo Book.
2. Insert your memory card into the designated memory card slot with the label side facing towards you as shown below.



3. To connect a USB flash drive:
 - (a) Connect your USB flash drive to the female end of the included USB OTG cable.
 - (b) Connect the mini end of the USB OTG cable into the USB port.
4. Once a memory card or a USB flash drive is connected, the Menu options will automatically pop up, showing the icon representing the available card or flash drive.
- NOTE:** The USB flash drive may take a few seconds to connect.
5. Highlight the icon representing the memory card or USB drive you would like to view, and press **OK**.
6. A small icon representing the selected memory card or USB flash drive will appear at the lower-right corner of the Album View and Thumbnail View screens.
7. The supported photos and videos on the selected memory card or USB flash drive will be displayed. Each folder and sub-folder will be displayed as a separate album.

Copying Files from Memory Cards or USB Flash Drive to Photo Book Internal Memory

Follow the steps in the previous section to display available albums on the selected memory card or USB flash drive. You can copy the entire content on the memory device, or only selected files or albums to Photo Book Internal Memory.

Copying the entire memory card or USB flash drive

1. With the selected memory device displayed, press **MENU** and select **Backup Icon** to copy all supported files on the memory card or USB flash drive to Photo Book.
2. At the confirmation screen, select **Yes** and press **OK** to start the copy.
3. Upon copy completion, a **Backup Summary** screen will show you the total number of files copied, copy speed, total size of files copied, and free space on the Internal Memory.
 - ♦ Select **Compare** to verify that files are copied correctly.
 - ♦ Select **View** to go to main Album View to view all available photo albums on Photo Book Internal Memory.
 - ♦ Select **Close** to close the summary screen.
4. For each copy, Photo Book will create a sequentially numbered directory, prefaced with the card/device type. Memory card are represented by 'CF', 'SD', 'MMC', 'xD', 'MS', and 'MSPRO'. The USB flash drive is represented by 'DEV001'.
5. On Photo Book, each folder or sub-folder will be displayed as a separate album, with its original folder name. If the photos were in the root directory of the memory card or USB flash drive, Photo Book will display those files as a separate album, and the folder name shown will be the folder name created for the copy (for example, SD-00001).

Copying selected file(s) or album(s)

1. With the selected memory device displayed, navigate to the file or album you want to copy.
2. To select multiple files or albums, press **MENU** and select **Multi-Select Icon** to enter Multi-Select Mode and make your selection.
3. Press **MENU** and select **Copy Icon**.
4. A confirmation message, 'Copied to clipboard' will pop up. Press **OK** to acknowledge.
5. Next, press **ESC** to return to internal memory Album View.
6. Press **MENU** and select **Paste Icon**.
7. When you see the confirmation message, 'Paste from clipboard?' press **OK** to confirm.
8. The selected file(s) or album(s) are now copied to Photo Book Internal Memory.

Learn More

Visit www.digitalfoci.com to download User's Guide and get answers to Frequently Asked Questions.

Register your Product

Visit www.digitalfoci.com/registration to register your product. You will be notified about any available firmware updates and other important information about your Photo Book.

Get Technical Support

Visit www.digitalfoci.com/support, contact tech support by email at: support@digitalfoci.com, or call 1-888-NOW-FOCI (669-3624).