

# Image Moments 6

## 5.7" Digital Photo Frame

### Quick Start Guide



Thank you for choosing Digital Foci.

Please use this Quick Start Guide to get started with your Image Moments 6.

For more detailed explanations on how to use your Image Moments 6, refer to the included User's Guide.

At Digital Foci, our mission is to *enhance your life by smart usage of digital technology.*

We promise to provide you:

- ◆ Easy-to-use products to help you manage and enjoy your digital content
- ◆ Attractive products to accentuate your unique style
- ◆ Education and support to help you understand the quickly changing digital technology

We aim to provide you a level of customer satisfaction that exceeds your expectations.

Let Digital Foci help *Optimize your Digital Living.*

For more information about Image Moments 6 and other products from Digital Foci, please visit our website at:

[www.digitalfoci.com](http://www.digitalfoci.com)

Congratulations on purchasing your Image Moments 6 - 5.7" High-resolution Digital Photo Frame. Here are some of the features that make Image Moments truly unique:

- ◆ **Superior image quality**
  - VGA (600x480) digital LCD with contrast ratio of 300:1
  - Leading technology LCD with LED backlight
- ◆ **Absolutely no computer required:**
  - Copy photos directly from memory card to device
  - Manage files with copy, rename, delete functions
- ◆ **Selective playback:**
  - Select specific photos for unique slideshow playback
  - Specify playback from a single or multiple memory sources
  - Play selected folder contents in Folder View
  - Directly create, edit, and sequence playlists on device
- ◆ **Automatic photo orientation:**
  - Photos are rotated automatically based on EXIF data
  - Automatic adjustment to portrait or landscape placement

#### Supported Memory Card Formats:

CompactFlash, Secure Digital, SDHC, MultiMedia Card, Memory Stick, MS PRO, MS Duo/PRO Duo, xD-Picture Card (miniSD, RS-MMC, microSD, MMCmicro, M2 with adapter)

#### Supported File Formats:

- ◆ Image format: JPEG (up to 35MP), BMP, TIFF, GIF, RAW (from select DSLR cameras)
- ◆ Video formats: MJPEG, MPEG-1, MPEG-4 SP
- ◆ Audio format: MP3, AAC, WMA

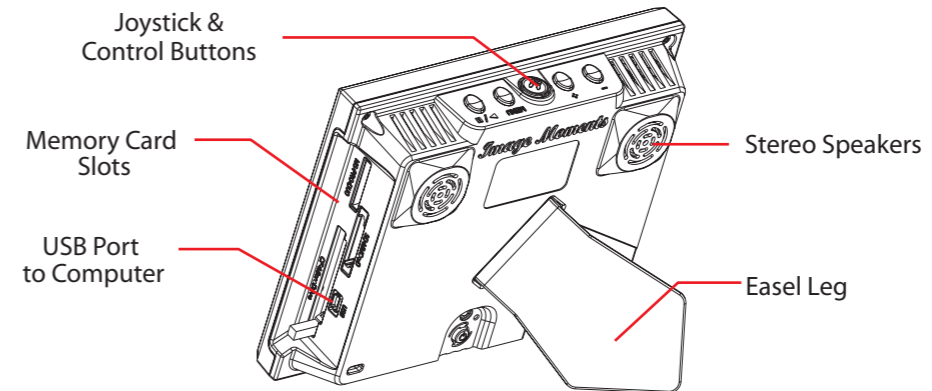
## Getting Started with Image Moments 6

### Package Contents:

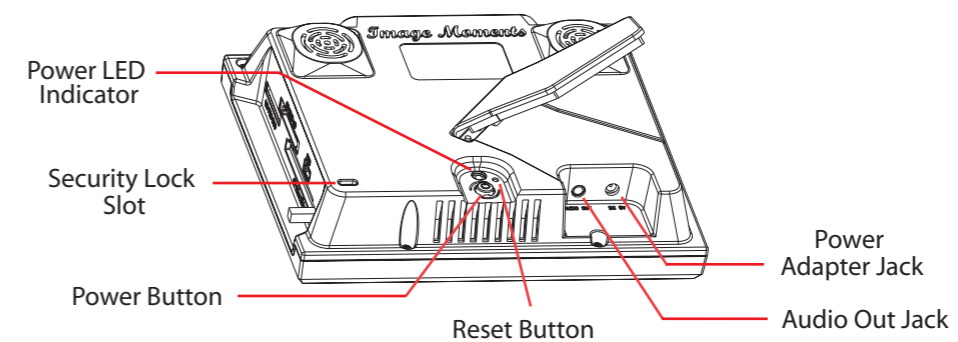
- ◆ Image Moments 6
- ◆ Remote control
- ◆ AC power adapter
- ◆ USB cable
- ◆ User's Guide
- ◆ Quick Start Guide

## Device Layout

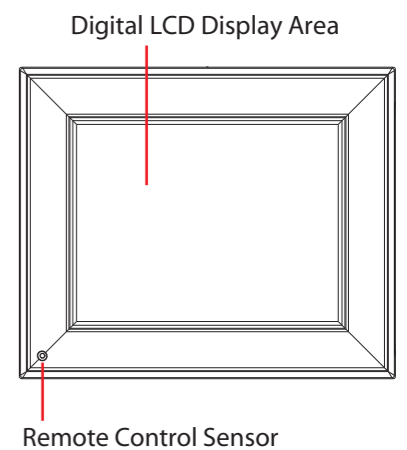
### Back View



### Bottom View

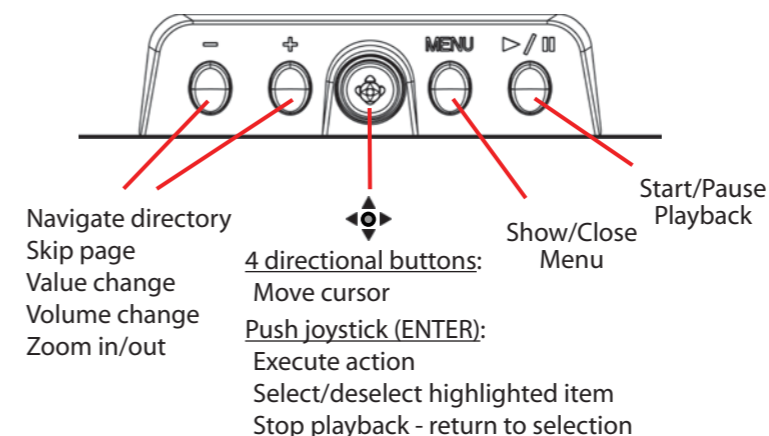


### Front View

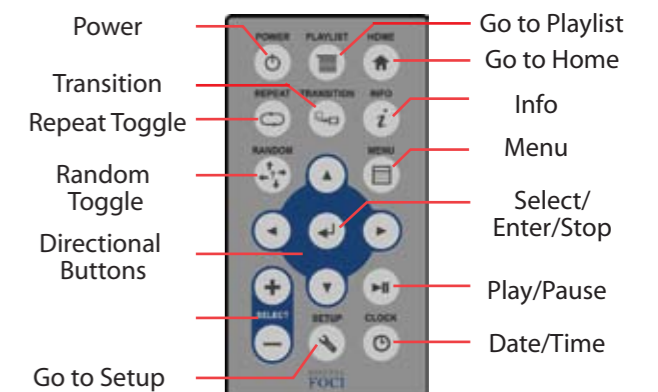


## Controls

### On-Device Control Buttons & Joystick



### Remote Control



## Getting Image Moments Ready for Use

### Setting Up the Frame

To set up frame, extend the Easel Leg by rotating it away from the device. You can position the frame in either landscape or portrait orientation. If you would like the frame to have a steeper viewing angle, adjust the Easel Leg towards the device.

### Powering Image Moments

1. Plug the AC power adapter into the Power Adapter Jack, located under the Easel Leg of Image Moments.
2. To turn on Image Moments, press either the **Power Button** on the back of the device or on the Remote Control. The Power LED will turn green and the Digital Foci splash screen will appear while the device initializes and powers on.
3. To turn off Image Moments, press and hold either the **Power Button** on the back of device or on the Remote Control for 5 seconds.

### Activating the Remote Control

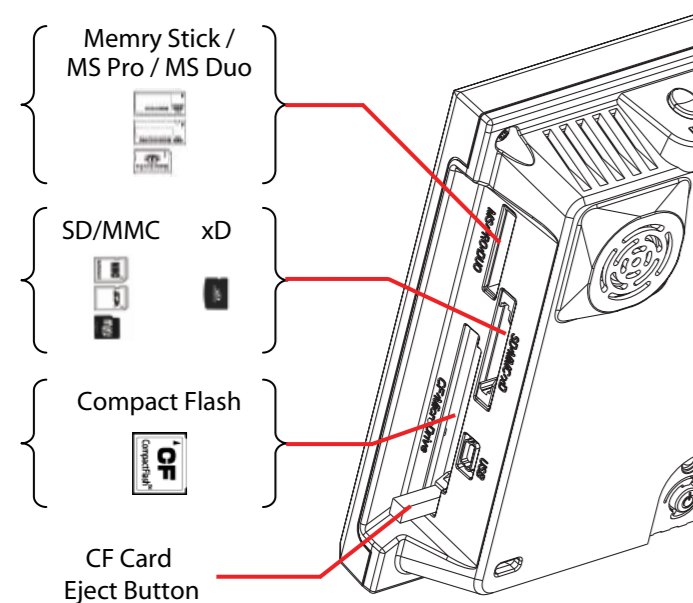
1. Slide out the battery tray on the back of the Remote Control.
2. Insert the supplied battery into the battery tray with the text side facing up.
3. Slide back the battery tray. The remote control is ready to use. For best results, point the Remote Control towards the Remote Control Sensor on the front corner of Image Moments.

## Inserting a Memory Card for Playback

By default, Image Moments is set to play an automatic photo slideshow of photos stored on its Internal Memory. To stop the slideshow, press the **ENTER/STOP** button or **HOME** on the Remote Control to go to the **Home Screen**.

Insert your memory card in the designated memory card slot with the label side facing towards the back as shown below.

Once recognized by Image Moments, the inserted card will automatically be added and shown with an X in the checkbox next to its corresponding icon under **Playback Sources**.



**Note:** To eject the CF card from the card slot, press the square black button at the bottom of the CF card slot. To eject the SD/MMC/xD card from the card slot, press down on the card and the card will pop-up for easier removal.

## Main Navigation Screen & Overview



### Home Screen Navigation Keys:

- ❖ Press **UP/DOWN** to jump to Previous/Next Navigation Section
- ❖ Press **LEFT/RIGHT** to move cursor within each Navigation Section
- ❖ Press **ENTER** to select/deselect item

## Copying Photos from Computer to Internal Memory

### Connecting Image Moments to your computer:

Connect Image Moments to your computer with the included USB cable. Image Moments will display a computer "Connect" icon on its screen. Your computer will automatically recognize Image Moments and show 4 removable devices.

The devices will be listed in this sequence: (Drive letters may vary)  
(E:) CF card slot (shown as a removable disk)  
(F:) SD/MMC/xD card slot (shown as a removable disk)  
(G:) MS/PRO/Duo card slot (shown as a removable disk)  
(H:) Image Moments Internal Memory (labeled 'FRAME') with capacity of 450 MB

### Copying files from computer to Image Moments:

You can access these 4 devices just as you would any other drives on your computer. You can transfer files from your computer to the Internal Memory of the Image Moments by copying the files into the drive labeled 'FRAME'.

## Playing a Photo Slideshow

The default setting on Image Moments is **AUTO START - PHOTO**. This means that Image Moments will automatically start playing all photos stored on the Internal Memory in a slideshow when the device is powered on.

You can also start the slideshow manually. To do so:

1. Press the **ENTER/STOP** button or **HOME** on the Remote Control to go to the **Home Screen**.
2. Under **Playback Sources**, select the memory source(s) you wish to play from. By default, all available sources (Internal Memory and inserted cards) will be automatically selected.
3. Next, select **Photo** under **Browse Mode**.
4. The screen will display thumbnail images of all your photos in alphabetical order regardless of which memory location they are stored. By default, all photos will be selected.
5. Press **PLAY** to start the slideshow of all the photos.

**NOTE:** To add background music for the slideshow, simply copy your own music files to the Internal Memory or memory card. With the default setting **BACKGROUND MUSIC - ON**, all music files available will play in the background along with your photo slideshow.

- 1 **Browse Mode:** Select Photo, Video, Photo/Video, Music, or Folder Mode.

### Photo Mode, Video Mode, Photo & Video Mode, Music Mode

When **Photo, Video, Photo/Video, or Music Mode** is selected, Image Moments will scan through the selected Playback Sources and show only the Photo, Video, Photo and Video, or Music files. By default, all of the files will be listed in alphabetical order regardless of of which memory location they are stored.

From the Icon/List View, you can then press **PLAY** to play all the Photo, Video, Photo and Video, or Music files. You can also browse through the files and select specific files to play.

### Folder Mode

When **Folder Mode** is selected, Image Moments will show the **Folder View** screen.

In **Folder View**, you can navigate through the directory on the Internal Memory and inserted memory cards. Utilize **Folder View** to play slideshows of specific collections organized in different folders.

- 2 **Playback Sources:** Select desired memory source(s) to playback.

You can select to playback from a specific memory source, or any combination of memory sources (Internal Memory and inserted memory cards) at the same time. By default, all available memory sources will be automatically selected and shown with an X in the checkbox next to its corresponding icon.

- 3 **Device Management:** Access File Copy Mode, Playlist Manager, and Setup Screen.

**Copy to Frame:** Copy files/folders from memory card to Internal Memory, from Internal Memory to memory card, or from one memory card to another memory card.

**Playlist Manager:** Create, edit, sequence playlists and select a playlist to play.

**Setup:** Set auto-start options, slideshow settings, screen brightness, system clock, and on/off timer.

## Changing Slideshow Options

To change the slideshow settings on-the-fly during a slideshow:

- ♦ Press **RIGHT/LEFT** to increase/decrease the time interval between each photo from 1 second up to 24 hours.
- ♦ Press **TRANSITION** on the Remote Control to change the screen transition effect. You can also press **MENU** and select **Transition Effects** to make your selection.
- ♦ Press **RANDOM** on the Remote Control to toggle between Random On and Random Off.
- ♦ Press **REPEAT** on the Remote Control to toggle between Slideshow Repeat On and Repeat Off.
- ♦ Press **MENU** and select **Display Settings** to show or hide each of the following: *EXIF Information*, *File Counter*, and *File Name*. You can also press **INFO** on the Remote Control to toggle the *File Counter* and *File Name* settings.
- ♦ Press **PLAY/PAUSE** to pause/resume the slideshow.
- ♦ Press **DOWN/UP** to manually scroll to the next/previous photo.
- ♦ Press **ENTER/STOP** to stop the slideshow and return to **Photo Icon View** or **Photo List View**.

## Selecting Specific Photos To Play

You can browse through your photos and select specific files to play in a photo slideshow.

1. From the **Home Screen**, select **Photo Mode** to access **Photo Icon View**. The selected photos are shown with a solid blue box around the photo thumbnail.
2. You can also browse through your photos by file name under **List View**. Under List View, the selected photos are shown with an X in the checkbox to the left of the file name. To switch to List View, press **MENU**, select **View Mode**, and select **List View**.
3. To select or deselect a photo, use the directional buttons or joystick to move the cursor over to that photo and press **ENTER**.
4. To select/deselect all photos, press **MENU**, select **Selection**, and select **Select All/De-Select All**.
5. Press **+ / -** to skip to the next / previous page.
6. Once you have made the selection of the photos to you want to view, press **PLAY** to start the slideshow of the selected photos. Make sure to press **PLAY** with the cursor highlighting a selected file.

## Playing Photos from a Specific Folder

Utilize **Folder View** to play slideshows of specific collections organized in different folders.

1. From the **Home Screen**, select **Folder** under **Browse Mode**.
2. Navigate to and select the specific folder you wish to play.
  - ♦ To go into a folder, highlight the folder and press **+**.
  - ♦ To return to the previous folder level, press **-**.
  - ♦ To select a folder, highlight that folder and press **ENTER**. The selected folder is shown with an X in the checkbox to the left of the folder name.
3. Next, press **+** to enter that folder. You will see that all files in that folder are selected.
4. Press **PLAY** to start playing all files in the selected folder.

**NOTE:** With the default setting **BACKGROUND MUSIC - ON**, all music files located in the selected folder will play in the background along with the photo slideshow. If there are no music files in that folder, Image Moments will play all available music files stored on the Internal Memory in the background.

**NOTE:** Only the files located in the level of the selected folder are available for playback. Files in the subdirectories (files inside folders within the selected folder) can only be played by navigating into that subdirectory.

### Learn More

Read the User's Guide to learn about other features, such as how to:

- ♦ Set Auto-Start and Slideshow Options
- ♦ Set system clock and on/off timers
- ♦ Zoom, pan, and rotate photos
- ♦ Copy, delete, rename files/folders, create new folders
- ♦ Copy between memory cards and Internal Memory
- ♦ Create, edit, and select playlist
- ♦ Connect Image Moments to external speakers
- ♦ Utilize security lock slot

### Register your Product

Visit [www.digitalfoci.com/registration](http://www.digitalfoci.com/registration) to register your product. You will be notified about any available firmware updates and other important information about your Image Moments.

### Get Technical Support

Visit [www.digitalfoci.com/support](http://www.digitalfoci.com/support) to get answers to FAQs, email [support@digitalfoci.com](mailto:support@digitalfoci.com), or call toll-free 1-888-669-3624.